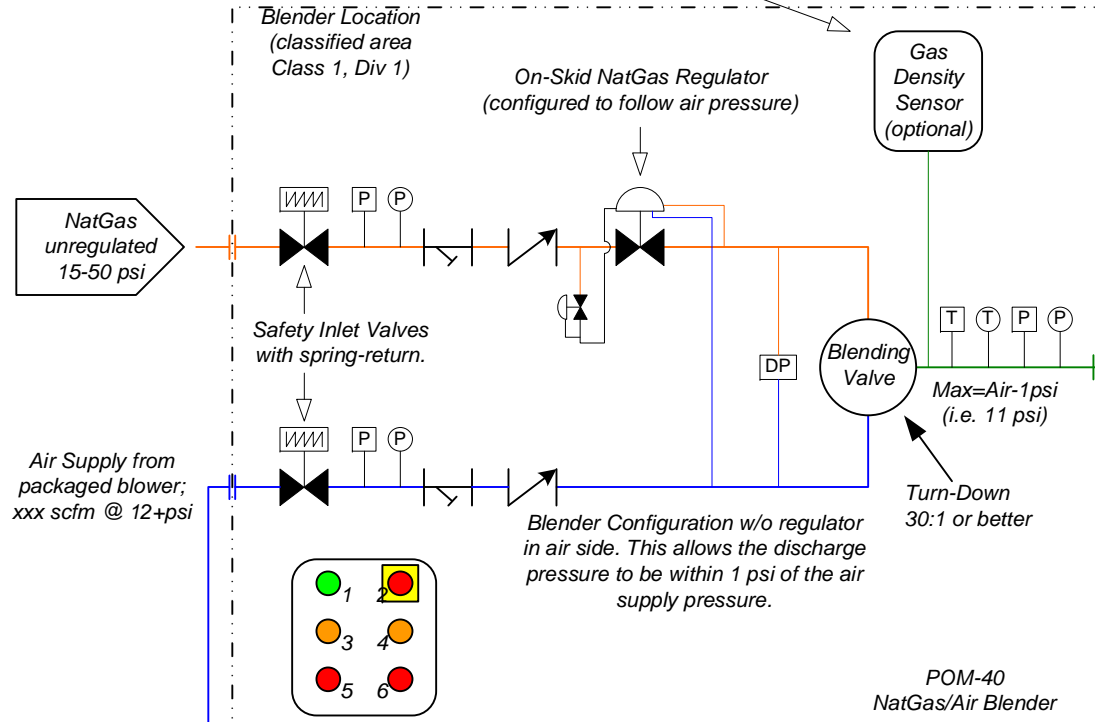


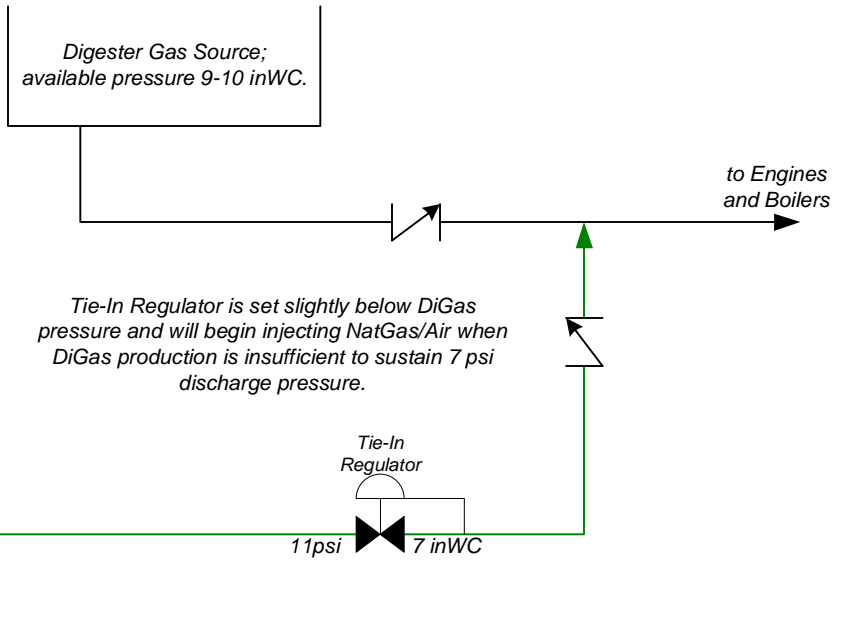
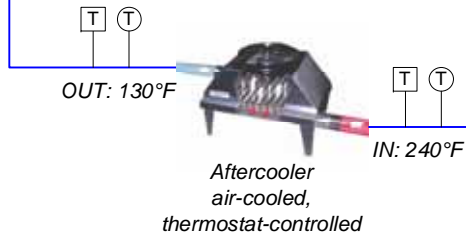
All electrical installations and components in blender area are Class 1, Div 1, Group D

Available Option:  
Gas Density Monitor, skid-mounted; measures NatGas/Air MixGas properties and displays Calorific Value, Wobbe Index, and Specific Gravity of MixGas at Operator Interface in Master Control Panel.



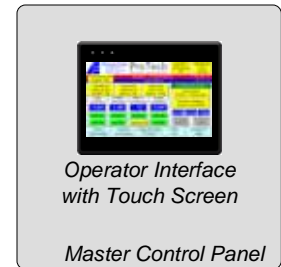
Blender Location will be defined as Classified Area (Indoor or Outdoor)

Non-Classified Outdoor Location



Engine Room or other non-classified area

Packaged Blower energy-saving VSD Drive available as Option



NOTE:  
Remote access for monitoring and control via Ethernet is standard. UL 508a stamp for panel available.

#	DATE	REVISION DESCRIPTION	DRAWN	APPR'D
		<b>Alternate Energy Systems, Inc.</b>		
	DATE: 14-July-10	SCALE: NTS	DRAWN BY: WHD	APPROVED BY: n/a
	TITLE: DigesterGas Backup/Augmentation System - Low-Pressure Example			
	REVISION NUMBER: Revision # 0	DRAWING FILE: DigesterGas Replacement Blender Block Diagram.vsd		